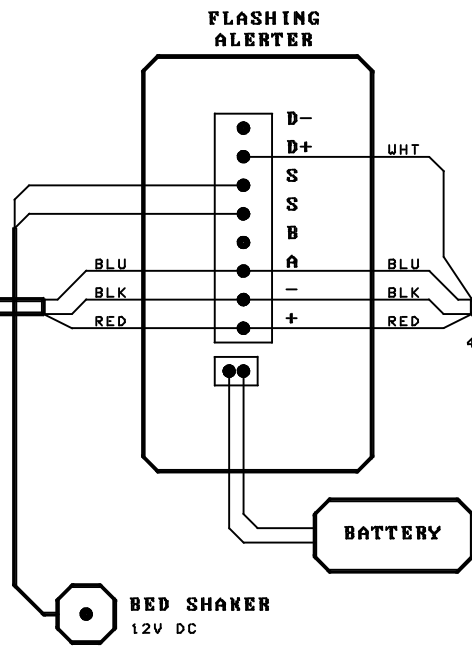


END-OF-LINE DETECTOR

(11 DETECTORS MAX.)

LAST DETECTOR ON LINE
TO ENABLE:
REMOVE THE JUMPER AND
INSTALL LOOP BETWEEN 2 AND 4 (*)



FIRE PREVENTORS LTD		
Title FIRE DENYER WIRING		
Size A3	Number FPL_SW1	Revision A
Date: 31-AUG 2010	Sheet 1 of 1	
File: FPL_SW1/1	Drawn By: PMB.CO.NZ	

General Notes:

The mains supply and contactor wiring must be mains rated and installed to comply with the appropriate electrical wiring regulations.

Low voltage wiring must be suitably rated for the application. 0.5mm multicore security cable with an outer sheath rated at 300 V minimum is recommended and must be installed to comply with appropriate electrical wiring regulations.

** The red wire link on the Fire Denyer is required for the audible alarm test to work.

COPYRIGHT 2010